

N^o 11,998



A.D. 1898

Date of Application, 26th May, 1898—Accepted, 6th Aug., 1898

COMPLETE SPECIFICATION.

Improved Repeating Pistol.

I, BURKARD BEHR, citizen of the Russian Empire, and residing at Bendlikon, near Zurich, in the Republic of Switzerland, Inventor, do hereby declare the nature of this invention and in what manner the same is to be performed, to be particularly described and ascertained in and by the following statement:—

5 This invention has for its object a repeating pistol which stands midway between an ordinary pistol and a revolver.

In place of the cylinder usual in revolvers the present weapon is provided with a flat box for receiving the cartridges, which after the cartridges in one half of the box have been successively fired off is adapted to be turned by hand 180°
10 so as to bring the other half of the box, which is also filled with cartridges, into position for firing.

This improved hand firearm is thus characterised by great simplicity in its construction, which renders it possible to build the pistol as flat as possible so that it can be packed or carried anywhere convenient and consequently it is particularly suitable for cyclists for giving warning shots for scaring dogs and the like.
15

In the accompanying drawing,

Figure 1 is a side elevation of the pistol;

Figure 2 a front view;

Figure 3 a vertical longitudinal section;

20 Figure 4 a plan view;

Figures 5, 6, and 7 are end and sectional views of the cock with a peculiar revolvable striking bolt mounted thereon.

The pistol as in a revolver consists of a frame A in which however in place of the drum or cylinder there is mounted a flat box B provided with four cartridge
25 chambers *b*, Figures 2 and 3, pivotted on a removable pin B¹. The thickness of this box is equal to that of the frame A so that when closed it fits flush everywhere in the frame A, that is to say no part projects out of the frame. The box B is secured in the closed position in the frame A by means of a spring lever C Figures 3 and 4 which springs into a recess *b*¹ formed on each side of the box.
30 A back sight *c* is also mounted on the lever C. When the box B is in the frame A in the closed position it lies with the cartridge chambers *b* of its upper half in front of the barrels D of the pistol so that the two cartridges can be successively fired off. This successive firing of the two barrels and cartridges is effected by a peculiarly constructed cock. This cock carries on its head a roller F mounted
35 in the eye *e* of the part E and provided on the rear end with curved grooves or screw spirals *f* Figures 3 and 7 extending in the form of a thread. In the rear or back *g* of the lock casing G a spring pin H is so arranged that when the cock is moved back to be set, the roller F is engaged by the said pin H which enters the spiral groove of the roller until the eye *e* passes under the pin H and lifts
40 the same out of the groove *f*. As however the pin H is only vertically movable and is laterally immovable the roller F when the cock is set thus receives a partial rotation whereby a projection *f*¹ on the cock, which for instance previously lay opposite the upper firing pin J, is now brought opposite the under firing pin K

[Price 8d.]

BIRMINGHAM
FREE LIBRARIES

Behr's Improved Repeating Pistol.

and therefore strikes the latter on the firing of the pistol and thus discharges the lower cartridge.

On the next setting of the cock, the roller F, in the manner hereinbefore described, is again revolved a half revolution so that the projection f^1 comes opposite the upper striking bolt J and the upper cartridge is fired off. When two cartridges have thus been discharged, the box is rotated 180° on its axis B¹ after the spring lever C has been pressed to release the box, and the other half of the box with its cartridges is thus brought into position for discharging.

In order that, after the partial revolution has taken place, the roller F may not during the springing forward of the cock be turned back again by means of the pin H, the said roller F is provided at its rear end with a ring of ratchet teeth f^2 in which a pawl L, Figures 5 and 6, snaps at each forward revolution of the roller and thus prevents the roller making a backward rotation.

The remaining parts of the lock mechanism may be of any suitable form of construction and in the example shown are made exactly as in other revolvers and are well known.

In order to load the box B it is either entirely withdrawn from the frame A after the pin B¹ has been pulled out, or the box is turned into the horizontal position shown in Figure 2 in which the cartridges are easily inserted into the box from the rear. The insertion or ejection of the middle cartridges, that is to say the cartridges lying next to the pin B¹ on which the box rotates, is rendered possible by means of a recess or groove A¹ formed in the frame A, Figures 1 and 2.

A suitable appliance in the form of a screw driver M screwed into the handle N accompanies the pistol.

Having now particularly described and ascertained the nature of my said invention and in what manner the same is to be performed, I declare that what I claim is:—

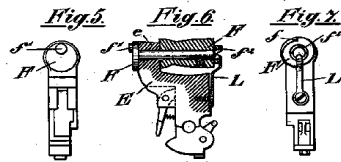
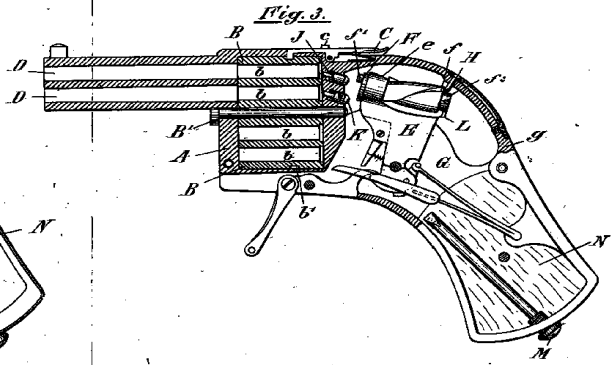
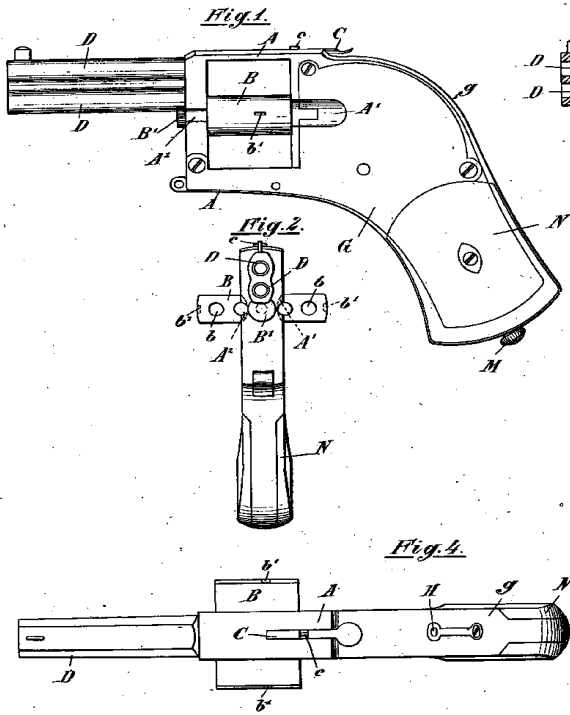
1. A repeating pistol, characterised by the cartridges being arranged in a flat box (B) instead of in the cylinder usual in revolvers, which box fits everywhere flush in the frame (A) and after the cartridges contained in its upper half have been successively discharged is adapted to be rotated by hand 180° in order that its second half also filled with cartridges may then come into position for discharging, substantially as hereinbefore described.

2. A form of construction of the repeating pistol hereinbefore described in which the successive discharge of the cartridges contained in one half of the box takes place by means of a cock (E), the head (e) of which carries a revolubly mounted roller (F) provided with a screw thread or spiral groove and with a striking projection (f^1) in front, a spring pin (H) being suitably mounted to engage in said groove on the setting of the cock and to thus turn the roller to a given angle (180°) so that its striking projection (f^1) will strike alternately on first one and then the other of the two firing pins (J K) acting on the cartridges, substantially as hereinbefore described.

3. A form of construction of the repeating pistol hereinbefore described, in which the fixing of the cartridge box (B) after each revolution effected by hand takes place by means of a spring lever (C) adapted to snap into recesses in the box, which lever also carries a back sight (c), substantially as hereinbefore described.

Dated this 25th day of May 1898.

WM. P. THOMPSON & Co.,
Of 6, Lord Street, Liverpool, Agents for the Applicant.



[This Drawing is a reproduction of the Original on a reduced scale.]

BIRMINGHAM
FREE LIBRARY

Malby & Co., Photo-Litho.

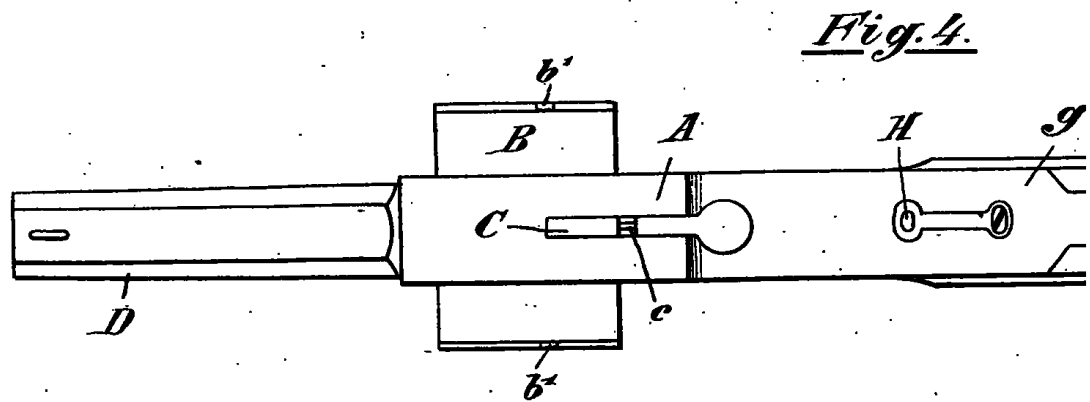
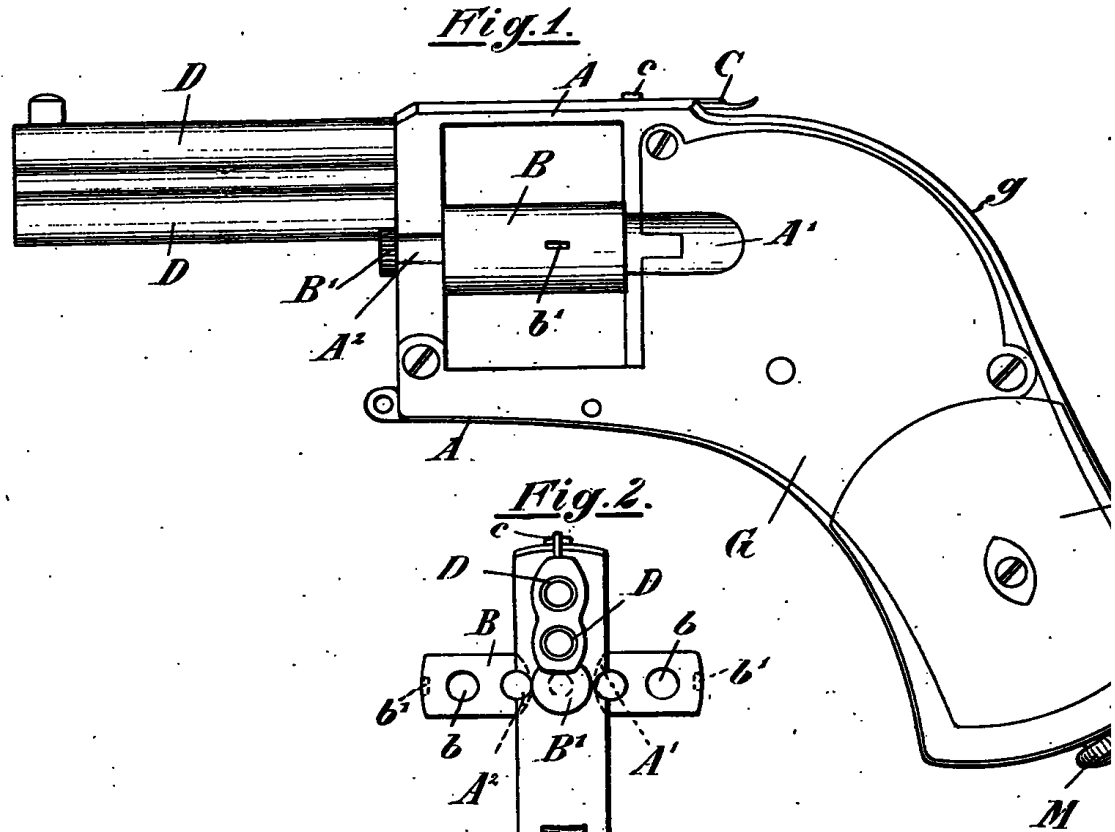


Fig. 3.

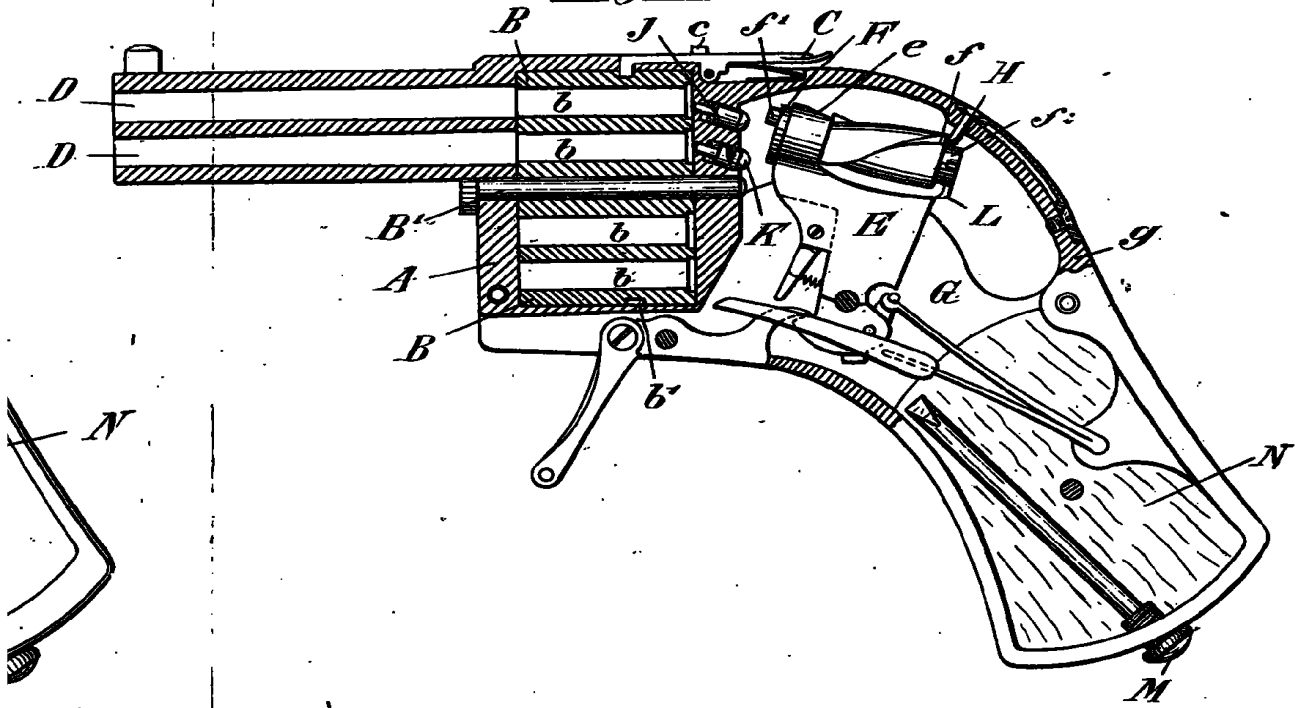


Fig. 5.

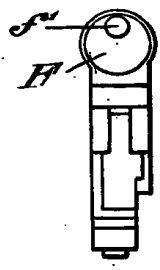


Fig. 6.

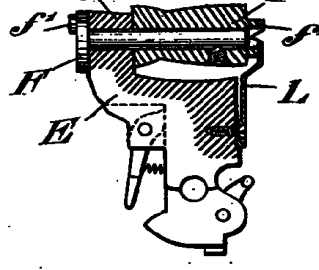
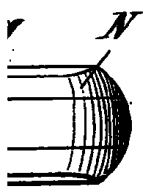
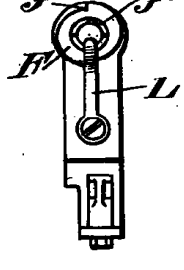


Fig. 7.



[This Drawing is a reproduction of the Original on a reduced scale.]

**BIRMINGHAM
FREE LIBRARIES**